

# Miniature 2-WAY, 3-WAY Direct Acting Valve

## Brass & Stainless Steel



### Features

- General Purpose Solenoid Valve
- 2-way Direct Acting Type
- Variety of Media
- Coil Selectivity : F Class
- Standard Seals : FKM

### Specification

#### Mechanical features

##### Major material features

- Body – Brass / Stainless Steel 304
- Seals – FKM
- Sleeve Assembly
  - 303 St Steel (Sleeve)
  - 430FR St Steel
- Plunger – 430FR St Steel

##### Fluid

- Air, Water, Oil

##### Rated Voltage & Power Consumption

- Please refer to table #1

##### Applications:

Used in a wide variety of applications such as:

- Instrumentation Equipment • Analyzers and Diagnostic Equipment
- Medical and Dental Equipment • Portable Welding Equipment
- Spraying Equipment • Lubrication Equipment
- Beverage Dispensing & Vending Machines • Oil Burners
- Humidification and Misting Equipment
- Mobile Fuel Shut Off • Air Horns • Irrigation Equipment

#### General performance

##### Response time

- Open / Close time : 10 ~ 20 ms

##### Ambient temperature

- Max. 50 °C

##### Port size BSP(G)

- 1/8", 1/4"

BSPT (Rc) and NPT available after the factory consulting

### 2-Way Direct Acting - Normally Closed - HPb59 Brass body

Port Size (BSPP)	Orifice size (mm)	Flow Factor Kv(L/min)	Admissible differential pressure (bar)			Wattage(W)		Max. Ambient Temp. °C	Sealing	Pressure Vessel Number	Coil No.	
			Min	AC	DC	AC	DC				Din	Flying Lead
1/8"	1.2	0.7	0	20	20	5.5	6	50	FKM	201DG1EVC2	C300498	C300524
1/8"	1.5	1.0	0	20	15	5.5	6	50	FKM	201DG1GVC2	C300498	C300524
1/8"	2.0	2.3	0	15	10	5.5	6	50	FKM	201DG1JVC2	C300498	C300524
1/8"	2.5	3.0	0	10	8	5.5	6	50	FKM	201DG1LVC2	C300498	C300524
1/4"	1.2	0.7	0	20	20	5.5	6	50	FKM	201DG2GVC2	C300498	C300524
1/4"	1.5	1.0	0	20	15	5.5	6	50	FKM	201DG2JVC2	C300498	C300524
1/4"	2.0	2.3	0	15	10	5.5	6	50	FKM	201DG2LVC2	C300498	C300524
1/4"	2.5	3.0	0	10	8	5.5	6	50	FKM	201DG2NVC2	C300498	C300524

## Miniature 2-WAY, 3-WAY Direct Acting Valve

### 2-Way Direct Acting - Normally Closed - HPb58 Brass Body

Port Size (BSPP)	Orifice size (mm)	Flow Factor Kv(L/min)	Admissible differential pressure (bar)			Wattage(W)		Max. Ambient Temp. °C	Sealing	Pressure Vessel Number	Coil No.	
			Min	AC	DC	AC	DC				Din	Flying Lead
1/4"	1.2	0.7	0	20	20	5.5	6	50	FKM	201EG2GVC2	C300498	C300524
1/4"	1.5	1.0	0	20	15	5.5	6	50	FKM	201EG2JVC2	C300498	C300524
1/4"	2.0	2.3	0	15	10	5.5	6	50	FKM	201EG2LVC2	C300498	C300524
1/4"	2.5	3.0	0	10	8	5.5	6	50	FKM	201EG2NVC2	C300498	C300524

### 2-Way Direct Acting - Normally Closed – Stainless Steel 304 Body

Port Size (BSPP)	Orifice size (mm)	Flow Factor Kv(L/min)	Admissible differential pressure (bar)			Wattage(W)		Max. Ambient Temp. °C	Sealing	Pressure Vessel Number	Coil No.	
			Min	AC	DC	AC	DC				Din	Flying Lead
1/4"	1.2	0.7	0	20	20	5.5	6	50	FKM	201PG2GVC2	C300498	C300524
1/4"	1.5	1.0	0	20	15	5.5	6	50	FKM	201PG2JVC2	C300498	C300524
1/4"	2.0	2.3	0	15	10	5.5	6	50	FKM	201PG2LVC2	C300498	C300524
1/4"	2.5	3.0	0	10	8	5.5	6	50	FKM	201PG2NVC2	C300498	C300524

### 3-Way Direct Acting - Normally Closed - HPb58 Brass Body

Port Size (BSPP)	Orifice size Body-Sleeve (mm)	Flow Factor Kv(L/min)	Admissible differential pressure (bar)			Wattage(W)		Max. Ambient Temp. °C Din	Sealing Flying Lead	Pressure Vessel Number	Coil No.	
			Min	AC	DC	AC	DC				Din	Flying Lead
1/4"	1.5-1.5	1.0-1.0	0	10	10	5.5	6	50	FKM	301EG2JVC2	C300498	C300524
1/4"	2.0-1.5	2.3-1.0	0	7	7	5.5	6	50	FKM	301EG2LVC2	C300498	C300524
1/4"	2.5-1.5	3.0-1.0	0	4	4	5.5	6	50	FKM	301EG2NVC2	C300498	C300524

### 3-Way Direct Acting - Normally Closed - HPb59 Brass Body

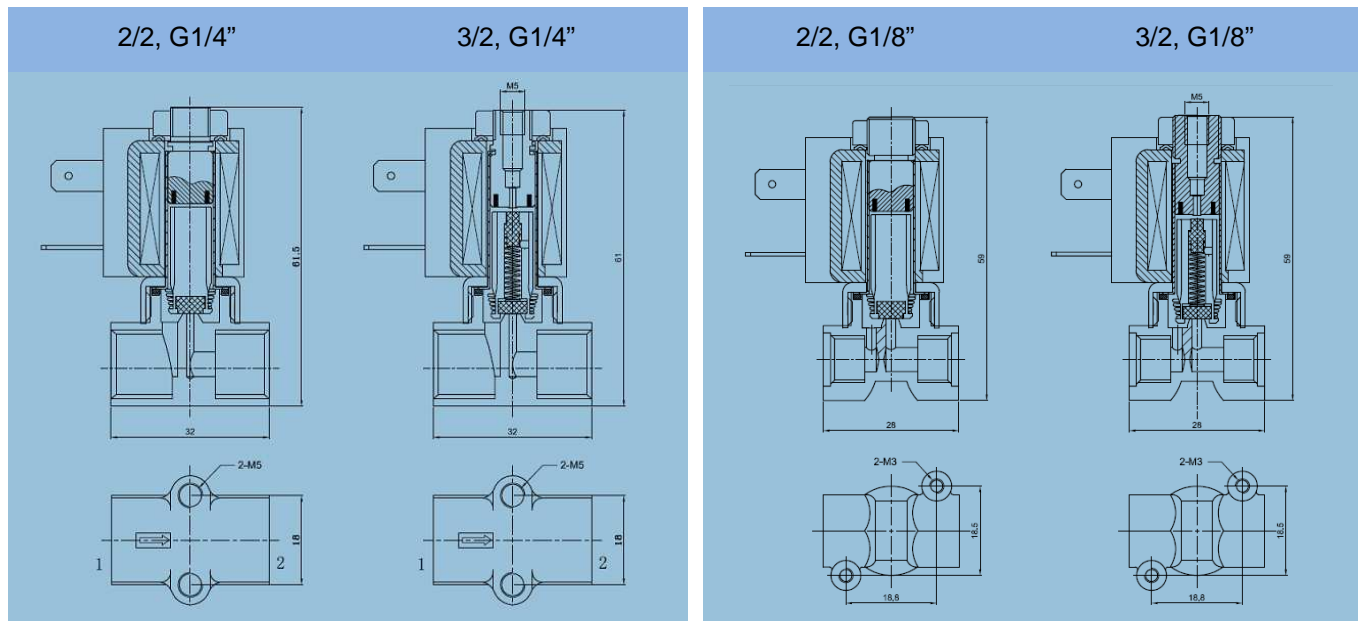
Port Size (BSPP)	Orifice size Body-Sleeve (mm)	Flow Factor Kv(L/min)	Admissible differential pressure (bar)			Wattage(W)		Max. Ambient Temp. °C	Sealing	Pressure Vessel Number	Coil No.	
			Min	AC	DC	AC	DC				Din	Flying Lead
1/8"	1.5-1.5	1.0-1.0	0	10	10	5.5	6	50	FKM	301DG1GVC2	C300498	C300524
1/8"	2.0-1.5	2.3-1.0	0	7	7	5.5	6	50	FKM	301DG1JVC2	C300498	C300524
1/8"	2.5-1.5	3.0-1.0	0	4	4	5.5	6	50	FKM	301DG1LVC2	C300498	C300524
1/4"	1.5-1.5	1.0-1.0	0	10	10	5.5	6	50	FKM	301DG2JVC2	C300498	C300524
1/4"	2.0-1.5	2.3-1.0	0	7	7	5.5	6	50	FKM	301DG2LVC2	C300498	C300524
1/4"	2.5-1.5	3.0-1.0	0	4	4	5.5	6	50	FKM	301DG2NVC2	C300498	C300524

### 3-Way Direct Acting - Normally Closed – Stainless Steel 304 Body



Port Size (BSPP)	Orifice size Body-Sleeve (mm)	Flow Factor Kv(L/min)	Admissible differential pressure (bar)			Wattage(W)		Max. Ambient Temp. °C	Sealing	Pressure Vessel Number	Coil No.	
			Min	AC	DC	AC	DC				Din	Flying Lead
1/4"	1.5-1.5	1.0-1.0	0	10	10	5.5	6	50	FKM	301PG2JVC2	C300498	C300524
1/4"	2.0-1.5	2.3-1.0	0	7	7	5.5	6	50	FKM	301PG2LVC2	C300498	C300524
1/4"	2.5-1.5	3.0-1.0	0	4	4	5.5	6	50	FKM	301PG2NVC2	C300498	C300524

## Miniature 2-WAY, 3-WAY Direct Acting Valve

### Dimensions



### Coils, Rated Voltage & Power Consumption (Table #1)

							
Code	Volts/Hz	Watt	Coil	Code	Volts/Hz	Watt	Coil
C1	DC12	6	C300498	C1	DC12	6	C300524
C2	DC24	6		C2	DC24	6	
A2	24/50	5.5	C300498	A2	24/50	5.5	C300524
0A	110/50,115/50	5.5		0A	110/50,115/50	5.5	
3D	220/50,230/60	5.5		3D	220/50,230/60	5.5	

### How to Order

## 201EG2GVC2 - C300498 3D

①                                      ②                                      ③

Example: 201EG2GVC2-C300498C2  
301DG2JVC2-C3005240A

- ① Valve Pressure Vessel
- ② Enclosure & Coil  
C300498: 22mm DIN coil, F class  
  
C300524: 22mm Flying lead coil, F class
- ③ Rated voltage code  
See Table #1

