



PHI Pinch Valves

PHI series Pinch Valves - PHIPV

Product Features:

Pinch type, silicon tube.

Valve type

Single Tube Normally Open - NO

Single Tube Normally Close - NC

Double Tube - DT

Suitable for Medical solutions

Suitable for food beverage industry.

Medium: Air, Gas, Liquid, Milk etc

Pressure: 0 ~ 0.2MPa for NO, 0.18MPa for NC & 0.15MPa for double tube

Port:

ID/OD-2.0mm/3.0mm -2030

ID/OD-2.5mm/4.0mm - 2540

ID/OD-3.5mm/6.0mm - 3560

ID/OD-6.0mm/9.0mm - 6090

Material:

Body - aluminium

Internal – SS

Operating Voltages

12VDC/ 24VDC ($\pm 10\%$)

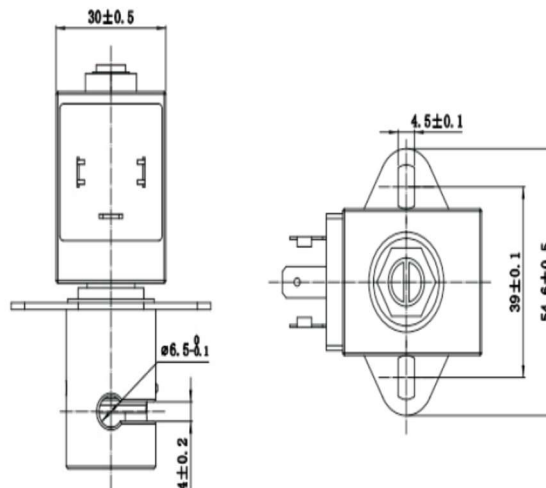
12W, 15W & 26W

Class F IP65

How to Order :

Select valve type - NO/ NC/ DT add tube ID/OD add coil suffix

Example - NO valve model 3.5mm/6.0mm ID/OD with 12VDC coil will be PHIPV-NO-3560-12V



Parker Hannifin India Pvt Ltd
Plot EL-26, TTC Indl Area, Mahape
Navi Mumbai - 400709