

# PHI SERIES ANGLE BODY VALVE

## How to order

**PHI -ABV- XX - XX - XX - X**

Pressure Range  
 NC : Normally Closed  
 NO : Normally Open  
 DA : Double Acting

Size  
 DN RC  
 10 3/8"  
 15 1/2"  
 20 3/4"  
 25 1"  
 32 1-1/4"  
 40 1-1/2"  
 50 2"

G : "G" Thread  
 P : Clamp Type  
 T : NPT Thread

S1 : SS 316  
 S2 : SS 304



## Product Features

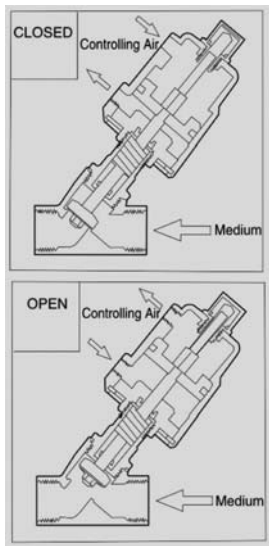
- Normally Closed and Normally Open Plastic Actuator angle valve with SS304 or SS 316 Body Construction
- Multiple seals are available for different medium
- Wide range from DN 10 ( 3/8" ) to DN 50 ( 2" )
- Compact design

## Specifications

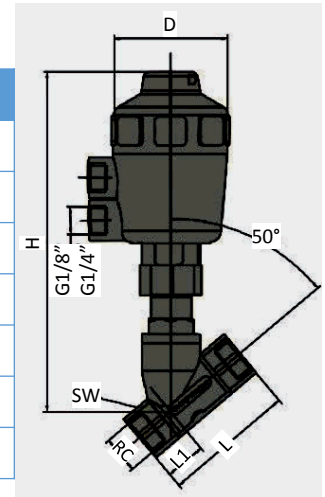
Parameter	Value
Port Size / Thread	DN15 to DN50 ( 3/8" to 2" )
Body material	SS 304 or SS 316
Actuator Material	Engineering Plastic
Seat seal	PTFE / FPM
Stem Seal	PTFE / FPM
Piston seal	FPM / NBR
Applicable Medium	Water, Neutral gas or Liquid, Ethanol, Lt. Oil, Solvent, Steam
Temperature of medium	PTFE : -10° to 180°, FPM : -10° to 100°
Viscosity	Max 600mm <sup>2</sup> /s
Mounting	Any position
Pilot controlling medium	Air/Gas : 3 to 8 bar
Working Pressure main valve	0 to 16 bar

# PHI SERIES ANGLE BODY VALVE

## Flow Direction Overall Size Dimension



DN	RC	L	L1	SW	H	D	Actuator
10	3/8"	70	21	26.5	135	50	40
15	1/2"	70	21	26.5	135	63	50
20	3/4"	76	23	32	145	63	50
25	1"	90	25	40	155	63	50
32	1-1/4"	116	32	50	200	81	63
40	1-1/2"	116	32	55.5	230	96	80
50	2"	138	40	68.5	250	96	80



## Engineering Information

Type	Port Size	Orifice	Actuator (mm)	Kv value	Working pressure at 180° max	Pilot Operator (Single acting)	Pilot Operator (Double acting)
DN10	G3/8"	13	40	4.7	16	≥4	0 – 2
DN10	G3/8"	13	50	4.7	16	≥3	0 – 1
DN15	G1/2"	13	40	4.7	16	≥4	0 – 2
DN15	G1/2"	13	50	4.7	16	≥3	0 – 1
DN20	G3/4"	18	50	9.5	16	3 – 4	0 – 2
DN25	G1"	24	50	18.1	16	3 – 5.5	0 – 3.5
DN25	G1"	24	63	18.1	16	3 – 3.5	0 – 2
DN32	G1-1/4"	31	63	23.1	16	3 – 5	0 – 4
DN40	G1-1/2"	35	63	32.9	16	3 – 6	0 – 5
DN50	G2"	45	63	52.8	16	3 – 6.5	0 – 8
DN50	G2"	45	80	52.8	16	3 – 6.6	0 – 5

## Flow Chart

